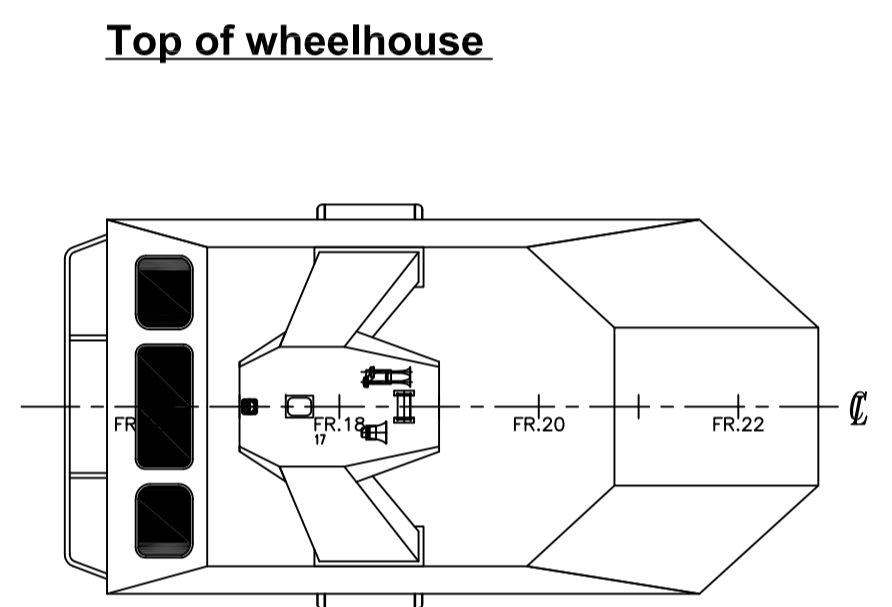
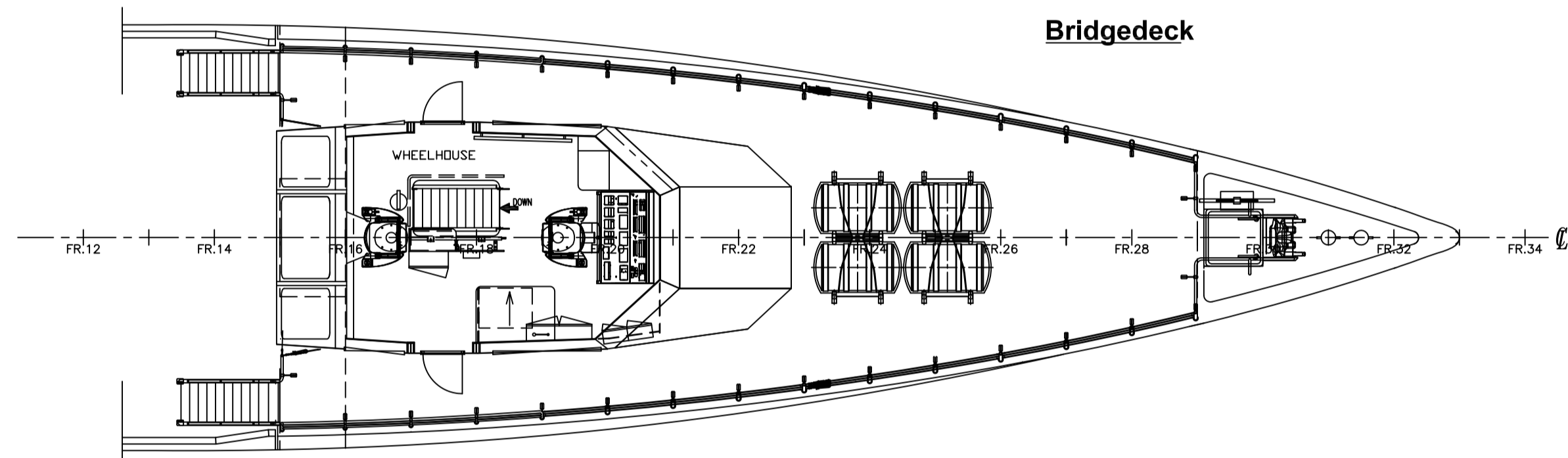


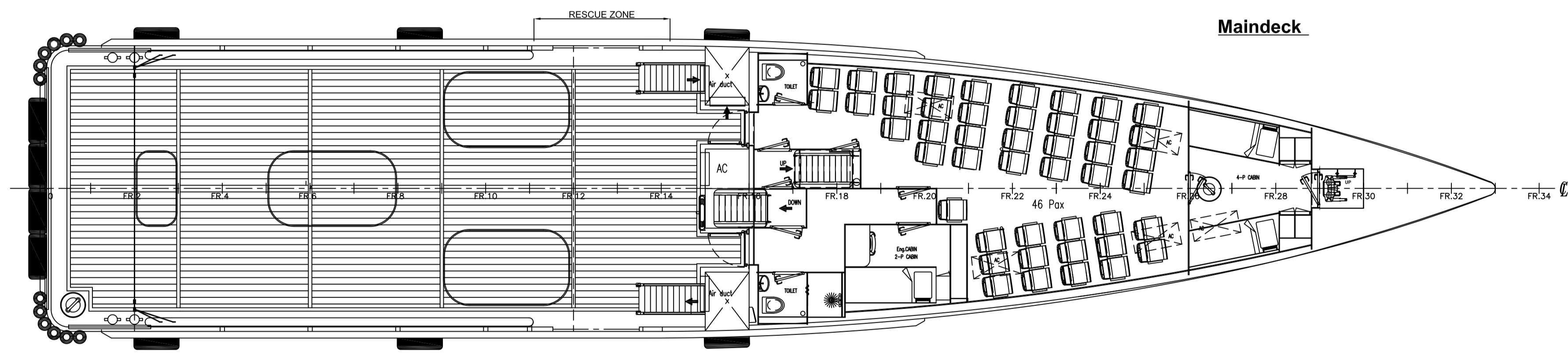
Profile



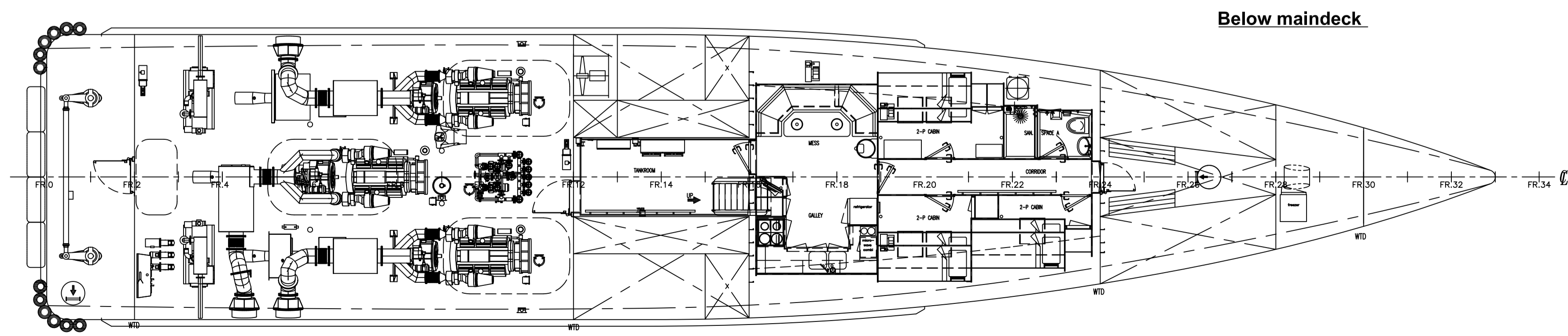
Top of wheelhouse



Bridgedeck



Maindeck

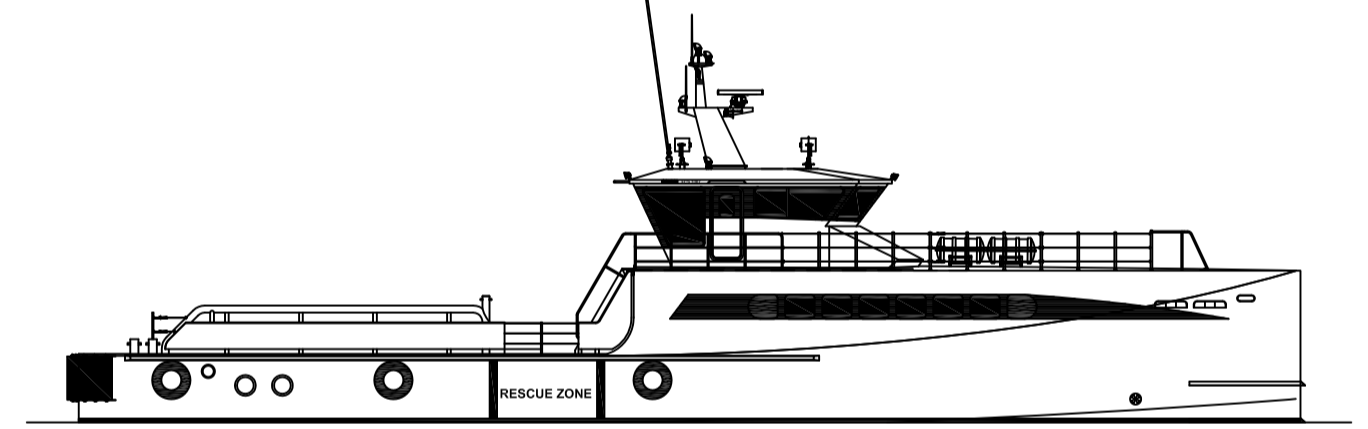


Below maindeck

# Damen

## Fast Crew Supplier<sup>®</sup> 3307

*SEA AXE*



**Principal dimensions:**

Length o.a.	33.45 m
Beam o.a.	7.35 m
Depth at sides	3.30 m
Draught aft (approx.)	1.95 m

A		13-08-2014	LDV	PN	PN	Updated according to client request	
REV	DATE	DRWN	CHKD	APPRVD	REVISION SUBJECT		
		<b>DAMEN</b> DAMEN SHIPYARDS GORINCHEM					
COPYRIGHT DAMEN SHIPYARDS GROUP		Industrieterrein Avelingen West 20 4202 MS Gorinchem The Netherlands		P.O. Box 1 4200 AA Gorinchem The Netherlands		phone +31 (0)183 63 99 11 fax +31 (0)183 63 21 89 info@damen.nl www.damen.nl	
DRAWN		CHECKED		APPROVED		FORMAT	A1
						SCALE	1:75
						DATE	17-10-2007
General arrangement							
COMP NO	TYPE	FCS 3307	DERIVED FROM DWG				
SECT NO	YARD NO contractor	544806	DWG NO		544806-000-001		
	YARD NO building yard		SHEET		REVISION		
					-		