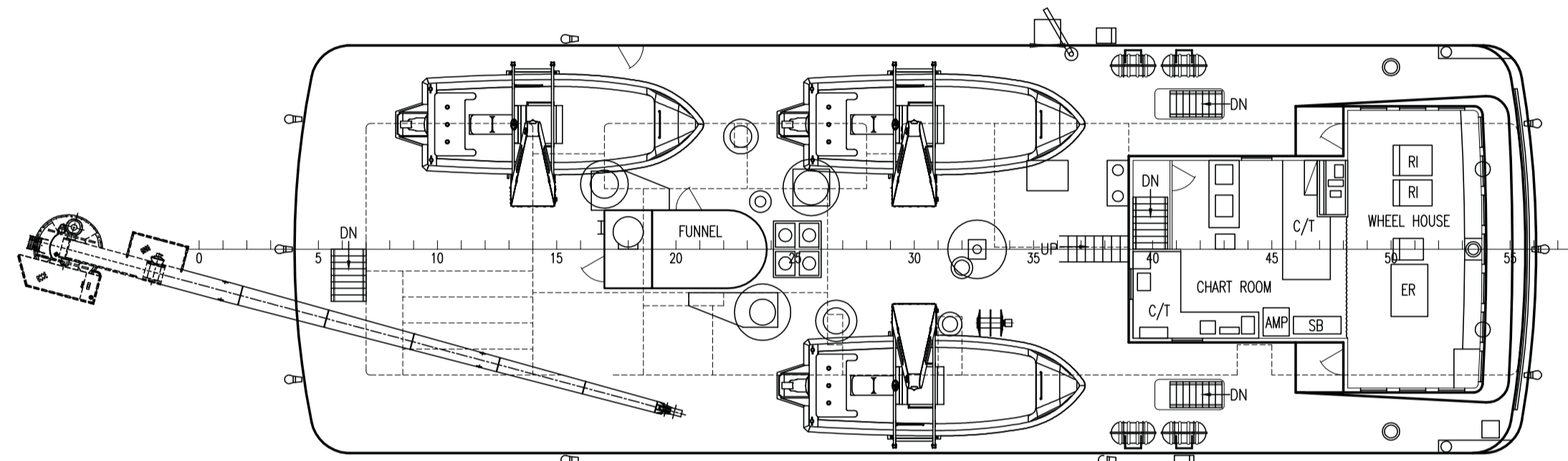
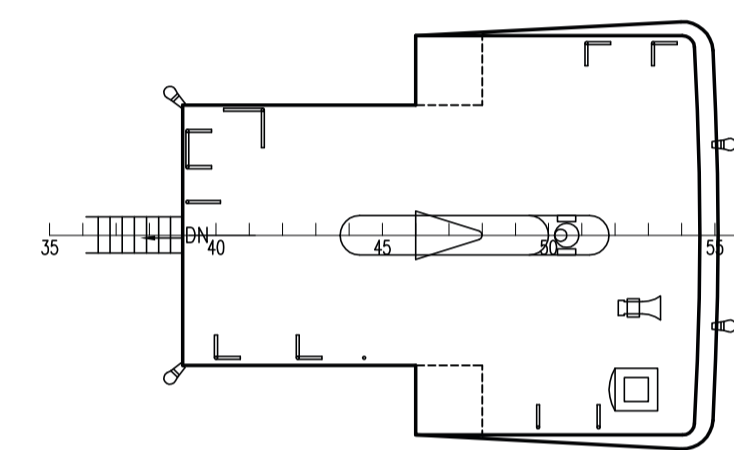


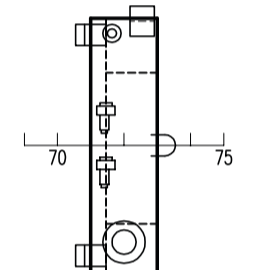
PROFILE



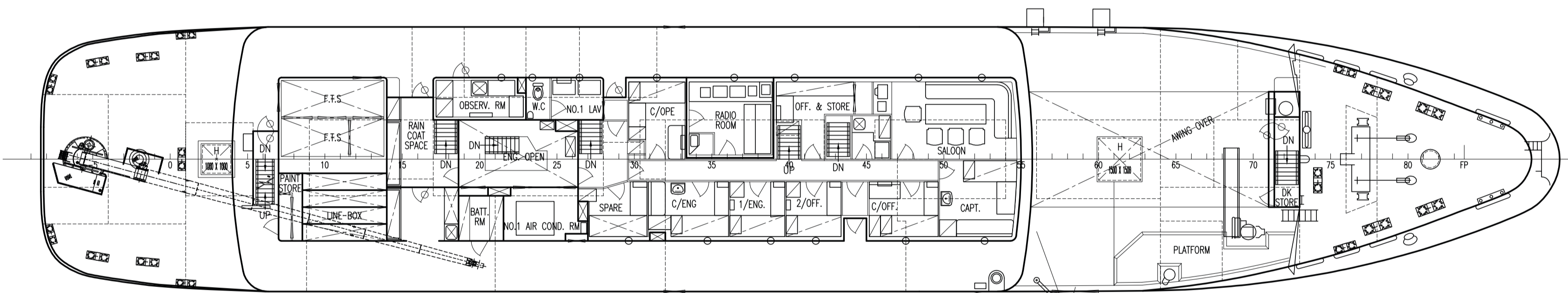
NAV. BRIDGE DECK



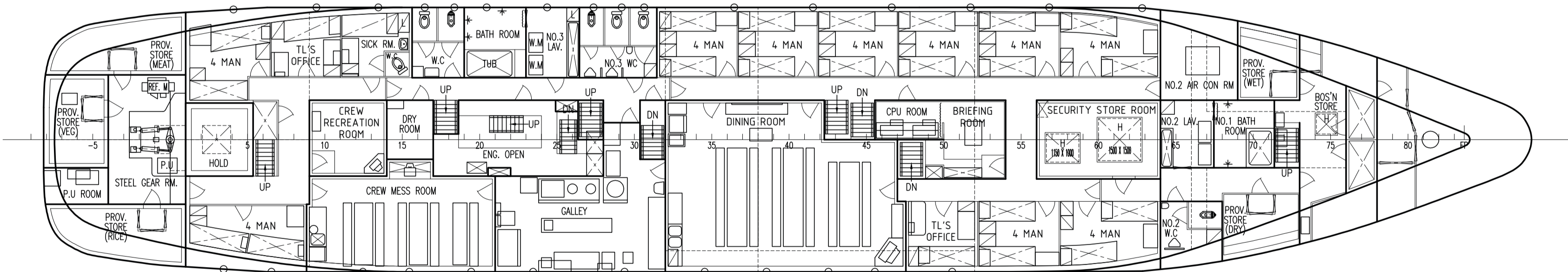
NAV. COMPASS DECK



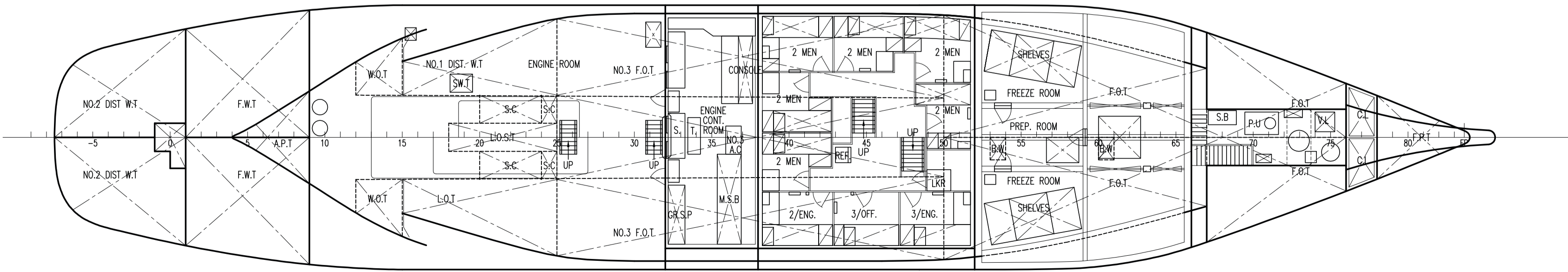
NAV. COMPANION



SUPERSTRUCTURE DECK



UPPER DECK



HOLD PLAN

Project :				SVS GRENVILLE	
Title:				GENERAL ARRANGEMENT	
Date:	1/9/2011	Drawn:	SDS	Checked:	KELVIN
Dwg. No.:	PP5311 - D01 (SHT 1 OF 1)	Scale:	1 : 125 (A1)	Rev.	1